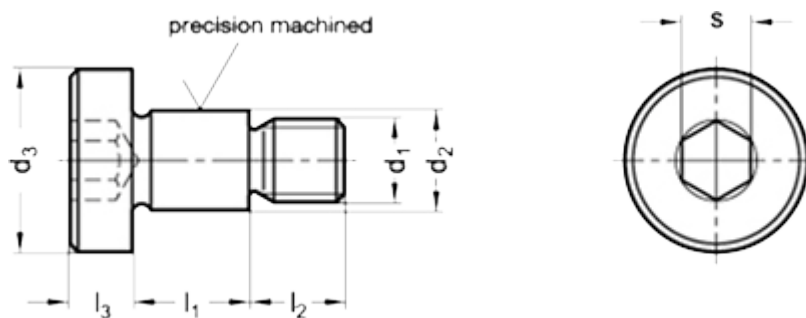


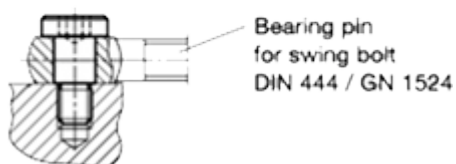
Article number: 207321M141617NI

Description: E+G Shoulder screw  
GN 732.1-M14-16-17-NI

## Measures



### Application example



|                   |                  |
|-------------------|------------------|
| d1                | = M 14           |
| d2                | = 16 -0.05/-0.08 |
| d3                | = 25             |
| $l_1 +0.20/+0.13$ | = 17             |
| $l_2$             | = 19             |
| $l_3$             | = 8              |
| s                 | = 8              |
| Weight in (g)     | = 33             |